



# TRIPOD TURNSTILE

---

## SINGLE-LANE TRIPOD TURNSTILE SERIES

# IT3000 D

### Description

A turnstile Model is a space efficient security barrier, with a compact design, Gate which allows one person to pass at a time. It can restrict access to unauthorized people, for example in the lobby of an office building. Auto drop arm feature in case of an emergency or power failure, can integrate with Access control, Passage counter, token system. The tripod turnstiles can be used in places such as restaurants, hotels, office buildings, museums, gyms, clubs, metros, bus stations, high class communities, intelligent buildings, hotels, subway stations and other high level venues, etc.

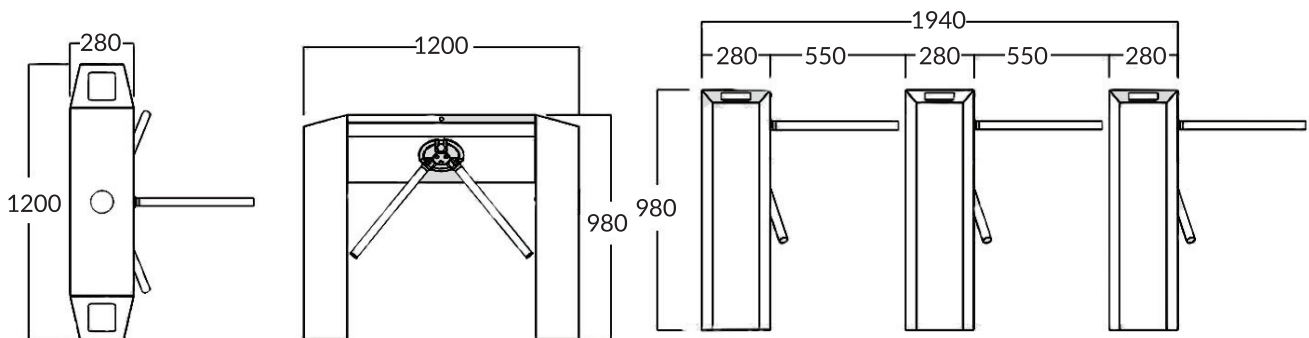
## Functions & Features

- ☞ Tripod turnstile have unidirectional or bidirectional passing, allow heavy traffic to pass through.
- ☞ Low energy drive and automatic adjustment of speed of rotation to match that of the person entering
- ☞ Comfortable passage, even with bags or luggage.
- ☞ It can be integrated with any kind of access controller system i.e. RFID device, Fingerprint and Biometric devices and Push button etc

## Specifications

Model number	IT - 3000 D
Cabinet material	SU304 stainless steel
Cabinet thickness	1.5mm
Dimension	1200*280*980mm
Arm length	550mm with Auto drop
Channel width	≤550mm
Power requirements	AC 100 ~ 120V/200 ~ 240V, 50/60HZ
Maximum power consumption	30W
Working temperature	28°C~60°C
Working humidity	5% - 80%
LED indicator	Yes
Speed of throughput	Maximum 30/ minute
MCBF	2 million

## Dimensions



+91 98417 17644 📞

[www.inout.technology](http://www.inout.technology) 🌐