



TRIPOD TURNSTILE

IT1000 D

Description

A turnstile Model is a space efficient security barrier, with a compact design, Gate which allows one person to pass at a time. It can restrict access to unauthorized people, for example in the lobby of an office building. Auto drop arm feature in case of an emergency or power failure, can integrate with Access control, Passage counter, token system. The tripod turnstiles can be used in places such as restaurants, hotels, office buildings, museums, gyms, clubs, metros, bus stations, high class communities, intelligent buildings, hotels, subway stations and other high level venues, etc.

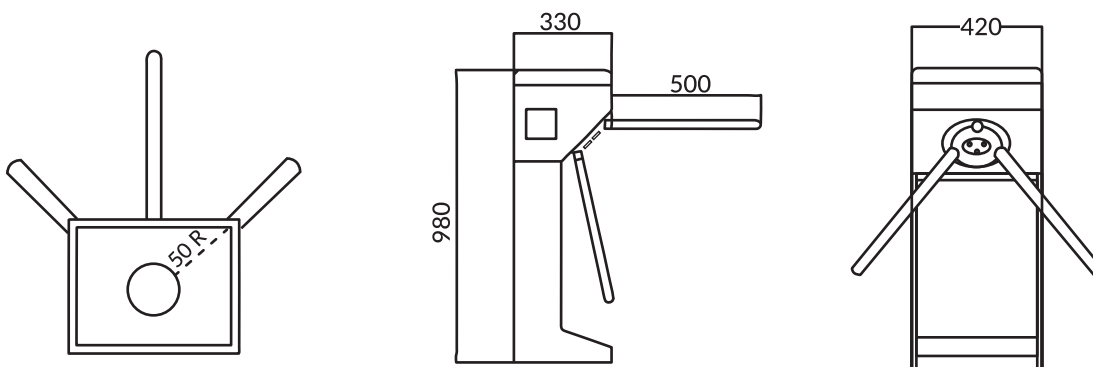
Functions & Features

- Exquisite rotating plate and self-lock mechanism
- Bi-directional pass/any single direction pass (adjustable)
- Arm auto-drop when power off (Semi Automatic)
- Avoid unauthorized access
- Self-lock within 5 seconds

Specifications

Model number	IT - 1000 D
material of housing	SU304 Stainless steel
Dimension of housing	420*330*980mm
Length of Pole(out of housing)	490mm
Net Weight	50KG
Max load-bearing of pole	3kg
Power Supply	AC220V±10%,50HZ;AC110V±10%,60HZ
Working Voltage of motor	DC12V
Rated Power	50W
Transit speed	25-32 persons/min
Working Temperature	-25°C~+55°C
Working environment	Indoor/ Outdoor
Relative humidity	<95%, no condensation

Dimensions



+91 98417 17644

www.inout.technology